

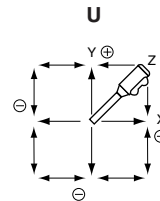
100JB

Potentiometer with a conductive plastic resistive element

Nomenclature

- **100** means approx. size of base housing in mm.
- **J** means joystick controller.
- **B** means 3-dimensional coordinate pot. inside incorporated low cost type.
- **M** means round shape.
- **Z** means mechanisms of 3-dimensional coordinate type.
- **Available directions of lever operation as below illustration.**

U : In addition to 360 square-directional operation, 3-dimensional coordinate operation is possible by the lever in which a seesaw type potentiometer is mounted.

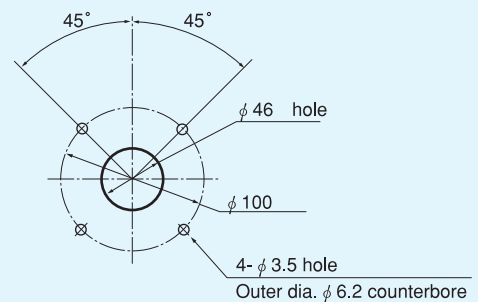
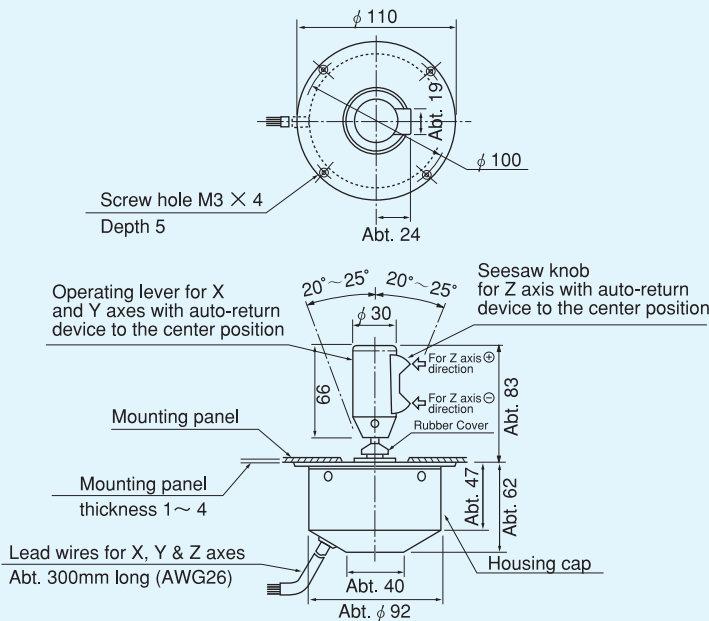


100 J B M - Z U - 3 0 R3 G

- **Number of potentiometers to be mounted.** 3...3 potentiometers are incorporated.
- **Number of switches to be mounted.** 0...no switch is incorporated.
- **With spring return device :**
- **R3** : with spring return device for 3-dimensional coordinate type.
- **Mounting accessories : G** : with dust proof rubber cover.

Standard Dimensions

Panel Arrangements



Note : 4 pcs. of mounting screws (M3 x 8) are attached.

(Unit : mm)

